



## **OPERATING INSTRUCTIONS**

**for the double plate extension**

**Secabo Slide for TC5 and TC7**

Congratulations on purchasing a Secabo product!

Please read these operating instructions carefully before using the product.

Any reproduction of these operating instructions in any form requires the written approval of Secabo GmbH. We reserve the right to amend technical data and product characteristics without prior notice.

Secabo GmbH assumes no liability for direct or indirect damage or injury resulting from the use of this product.

Version 1.0 (21.08.2014)

## **Safety precautions**

Please read these instructions and safety precautions carefully before using your press for the first time!

- Never reach into the heat press with your hands when it is connected to the power supply, particularly when it is switched on and heated up – danger of severe burns!
- Never open the housing or attempt to modify the machine yourself.
- Ensure that liquids and metal objects do not get into the inside of the heat press.
- Disconnect machine from power outlet when not in use!
- Never operate the heat press within the reach of children and never leave the machine unsupervised when switched on.
- Ensure that the machine is used only in dry rooms.

## Scope of delivery

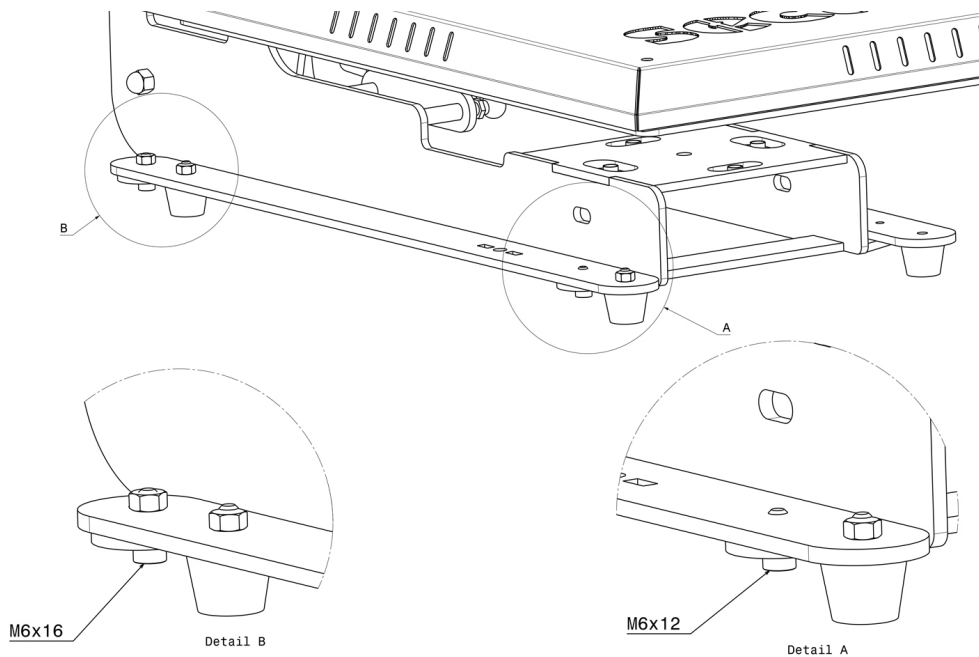
Before starting work, please check whether the following items are all present:

Item	Quantity
Slide unit	1
Frame base	2
Handle bar	1
Screws for Slide	M6x12 - 4 pieces M6x16 - 2 pieces screw-nut M6 - 2 pieces M8x16 - 2 pieces hammer head nut M8 - 2 pieces
Beam-Adapter	1
Screws for Beam-Adapter	M6x12 - 4 pieces (TC5) M8x16 - 4 pieces (TC7)

# Mounting steps

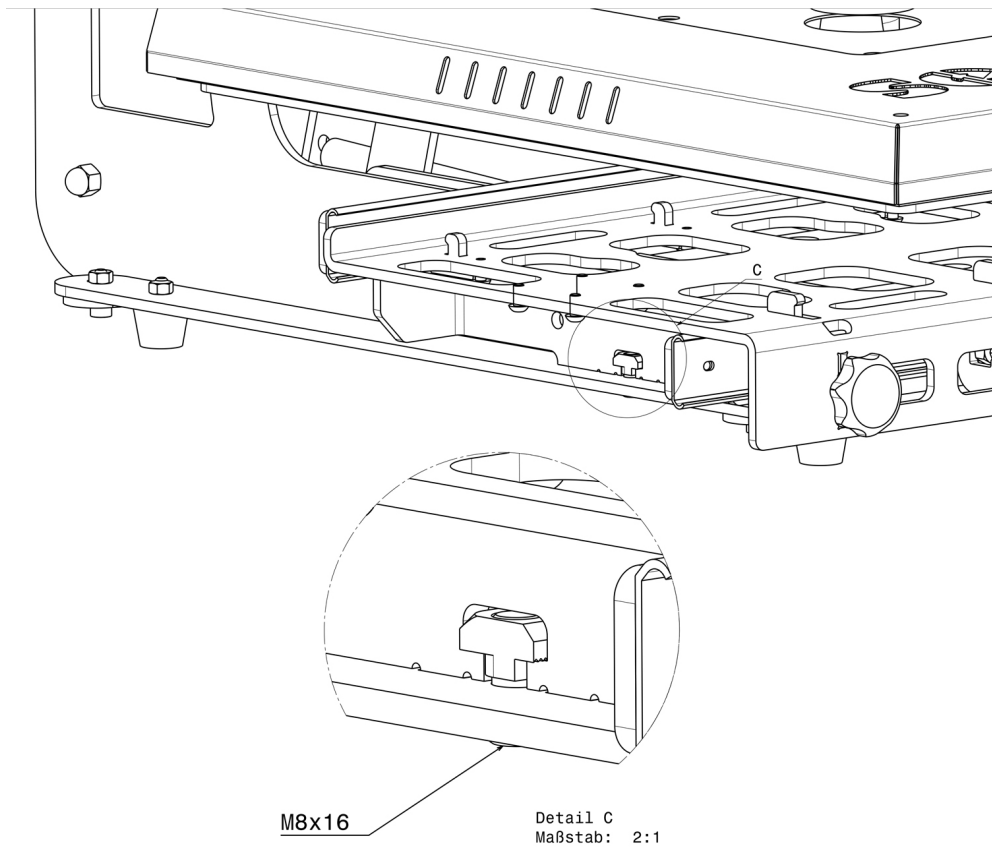
## Frame base

- Unscrew the rubber feet of your TC5 or TC7 heat press.
- Remove the original base plate from the heat press through loosening the black hand screws on the bottom side. You can take off the plate by lifting it up.
- Put the frame base on the left and right side on the flange and screw them tight as shown.
- Finally mount on the rubber feet as displayed below with the new attachment points.



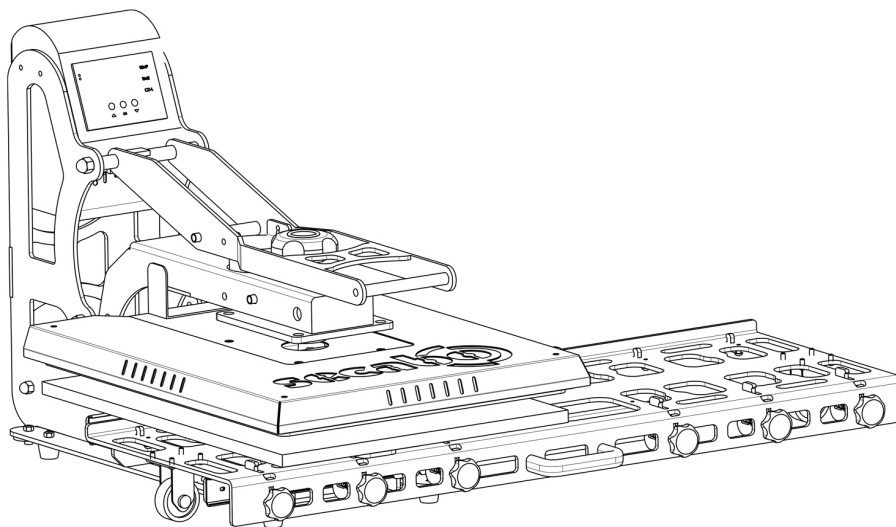
## Slide-Element

- Put the Slide element on to the pre-assembled frame - the pins on the Slide element have to fit into the corresponding slots on the left and right side of the frame base.
- Push the hammer head nuts as displayed in the drawing sideways into the slots and tighten them from below with the suitable screws.



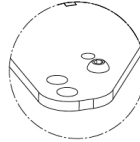
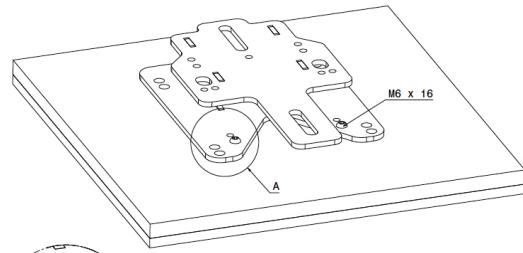
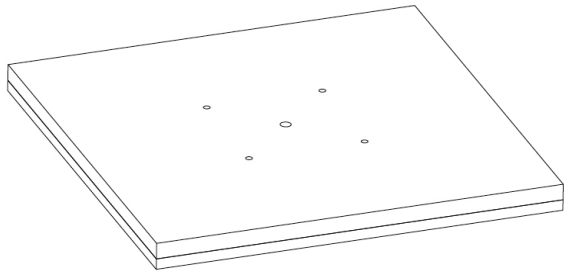
## Assembly of the handle bar

- Use the two M6x12 screws to attach the included handle bar from underneath in the middle of the Slide element.

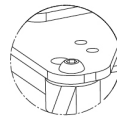
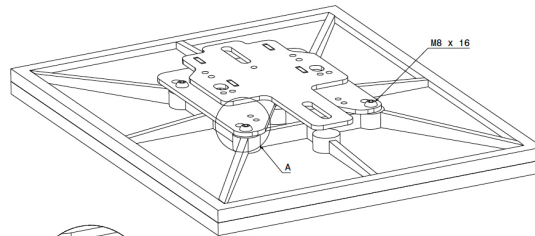
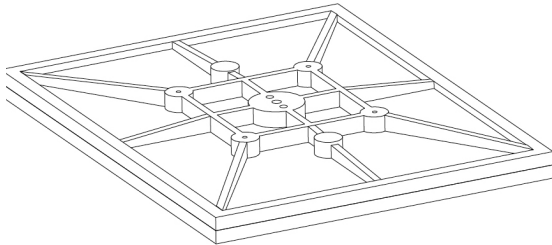


## Assembly of the Beam-Adapter

- Loosen the screws on the two aluminium blocks underneath the base plate (only TC5).
- Mount the Beam-Adapter using the included M6x12 (TC5) or M8x16 (TC7) screws.



Verwendung für Schnellwechsler



Verwendung für Schnellwechsler

## Use of the Secabo quick-change-system

- Insert the base plate with the Beam-Adapter on one side of the Slide.
- On the other side there is space for another large base plate or some smaller exchangeable base plates from Secabo.
- Plates can be inserted by screwing the front hand wheel until the small rail on the upper side moves backwards. Now place an exchangeable base plate in-between and tighten the screw until the plate is stuck.
- Use the handle bar to slide either to the left or right end position, before starting the transfer process.
- When using a single small plate - always mount it on to the rail in the middle, to assure that the heating plate is loaded evenly.