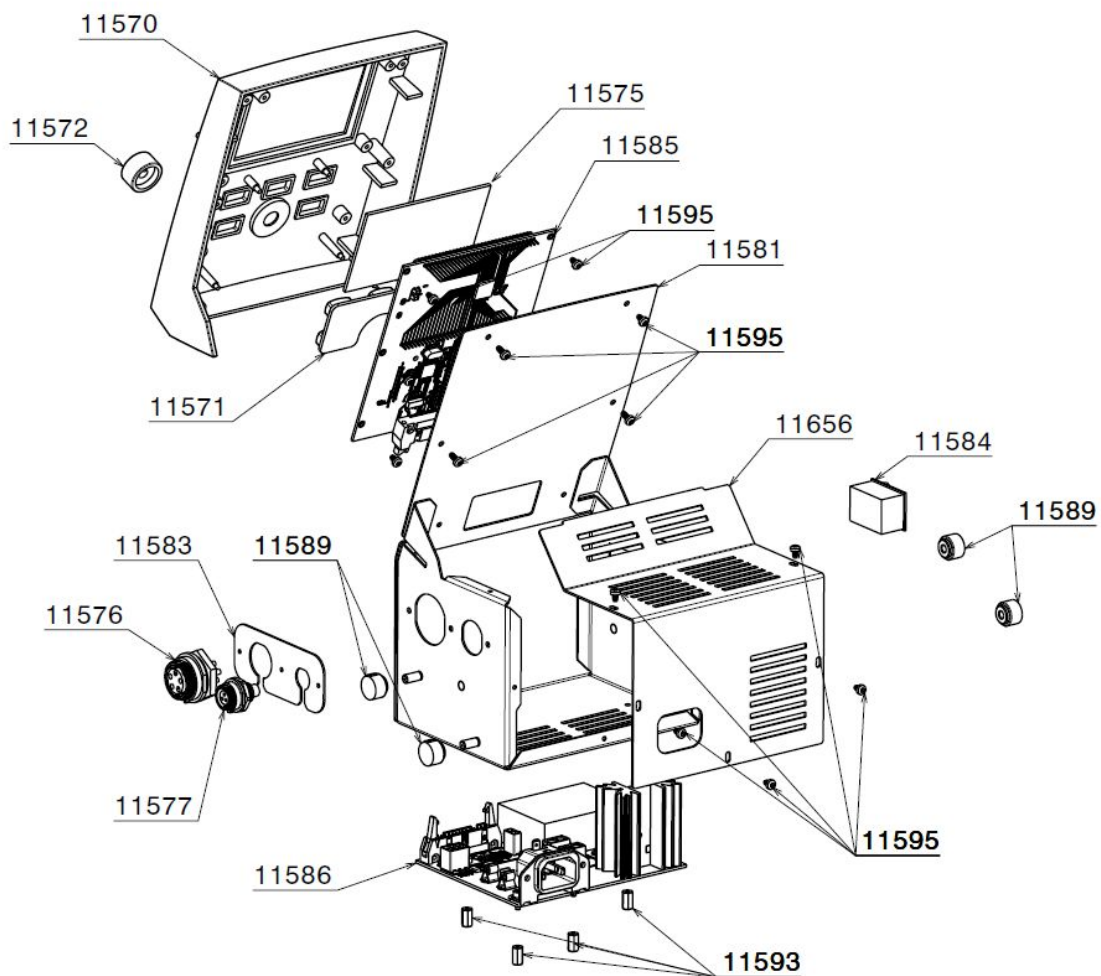


## Exploded drawings, circuit layouts and part lists for TC5 SMART and TC7 SMART

### Exploded drawing for HPC01 heat press controller built in TC5 SMART and TC7 SMART

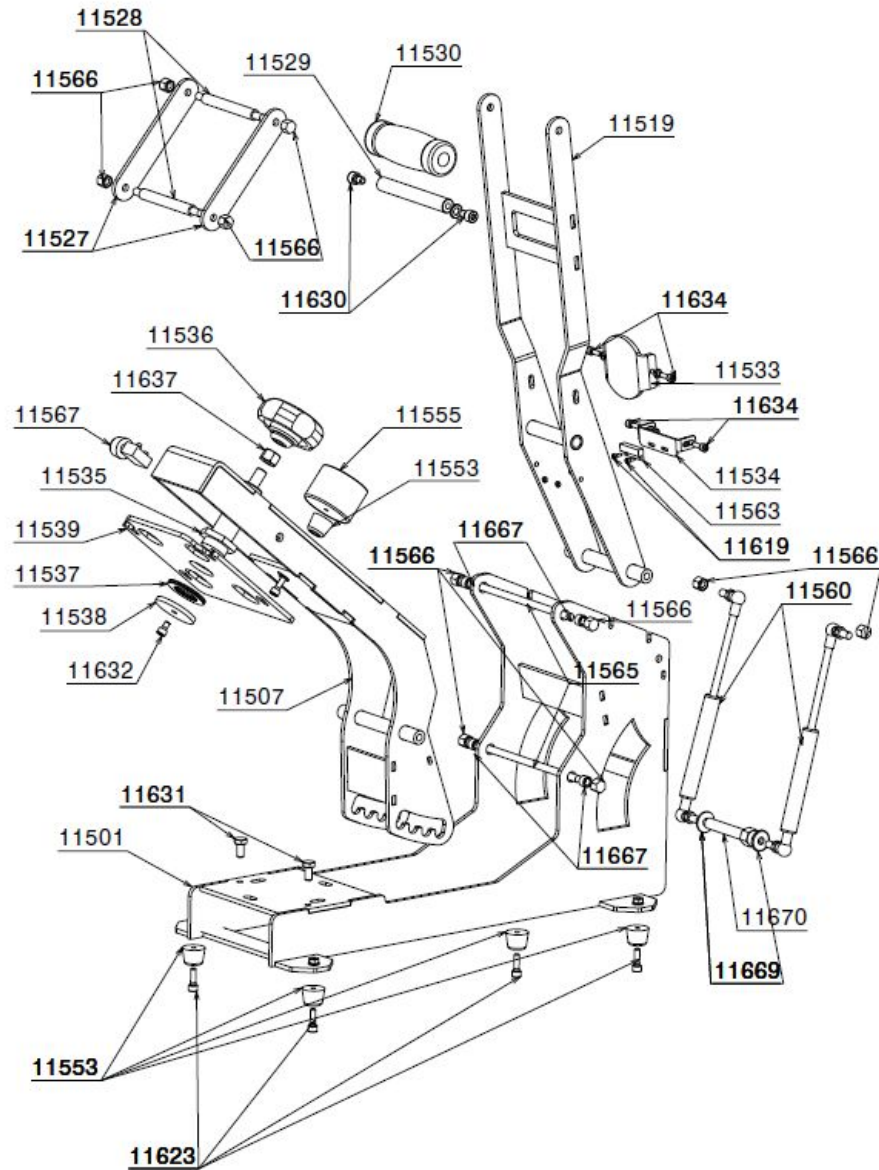


Part Number	Description
11570	Frontcover - HPC01
11572	Turning Knob - HPC01



11575	Display Cover - HPC01
11585	Controller - HPC01
11595	Screw DIN EN ISO 14585 2,9 x 4,5
11581	Housing - HPC01
11571	Control Panel - HPC01
11656	Backcover - HPC01
11584	Main Switch - HPC01
11589	Knurled Nut M5 - HPC01
11583	Socket Sheet - HPC01
11576	Socket Heatplate - HPC01
11577	Socket Release System - HPC01
11586	Powerboard - HPC01 large heatsink for 110V version
11593	Long Nut M3 x 10

## Exploded drawing for TC5 SMART and TC7 SMART heat press base



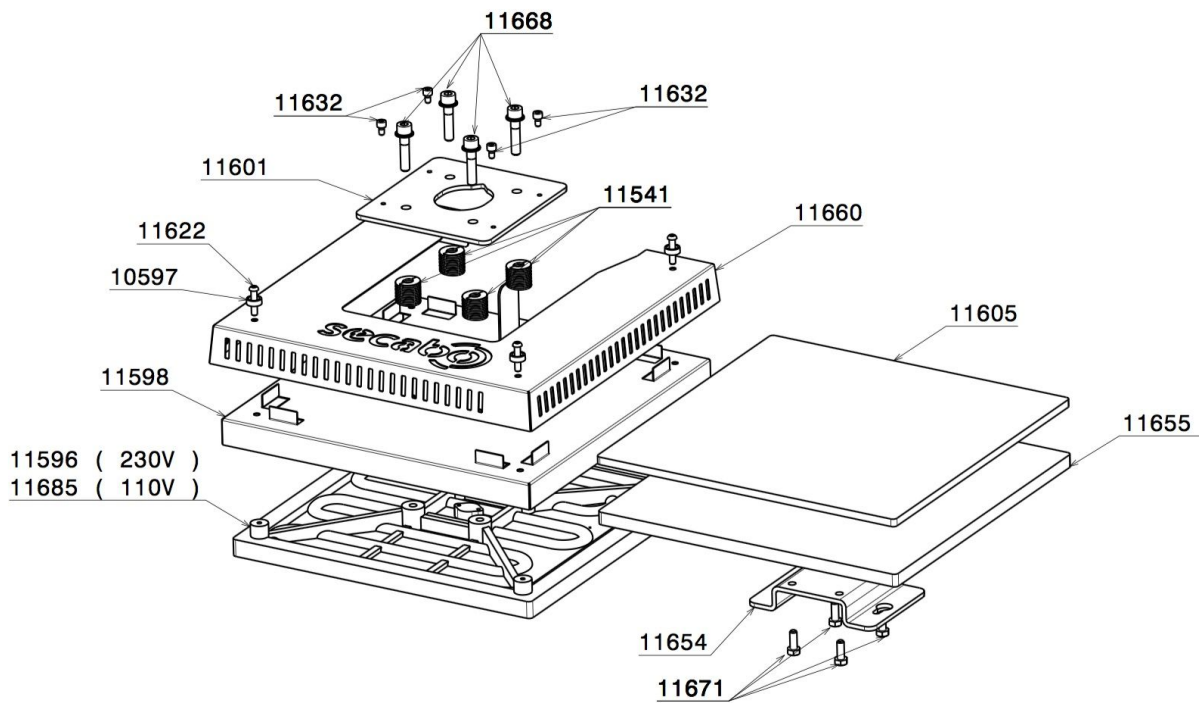
Part Number	Description
11528	Bolt Knee Lever - TC SMART
11527	Connection Knee Lever - TC SMART
11566	Cap Nut M8 DIN917
11529	Bolt Handle - TC SMART
11530	Foam Handle - TC SMART



11630	ISO 4762 Screw M8x12 Steel Hexagon Socket Head Cap
11519	Arm - TC SMART
11634	ISO 4762 Screw M5x16 Steel Hexagon Socket Head Cap
11533	TC Magnet Plate
11534	Bracket Counterpart Reed Sensor - TC SMART
11563	Counterpart Reed Sensor - TC SMART
11619	ISO 4762 Screw M3x8 Steel Hexagon Socket Head Cap
11536	Pressure Adjusting Wheel - TC SMART
11637	ISO 7089 WASHER 5x10
11567	Release Button - TC SMART
11535	Thread for Pressure Adjusting - TC SMART
11539	Socket For Heat Plate - TC SMART
11537	Ax Needle Bearing 30 47 4
11538	Bearing Cap PLATE
11632	ISO 4762 Screw M6x10 Steel Hexagon Socket Head Cap
11555	Electromagnet - TC SMART
11553	Rubber Feet - TC SMART
11623	ISO 4762 Screw M6x20 Steel Hexagon Socket Head Cap
11501	Baseframe - TC SMART
11631	Hexagon Head ISO 4017 Screw M8x16 Steel Grade A
11566	Cap Nut M8 DIN917
11667	Sleeve 12-8-8
11565	Bolt Baseframe - TC SMART

11560	Gas Spring - TC SMART
11670	Bolt Gas Spring - TC SMART
11669	ISO 7093-1 Washer 8x24
11507	Lower Arm - TC SMART

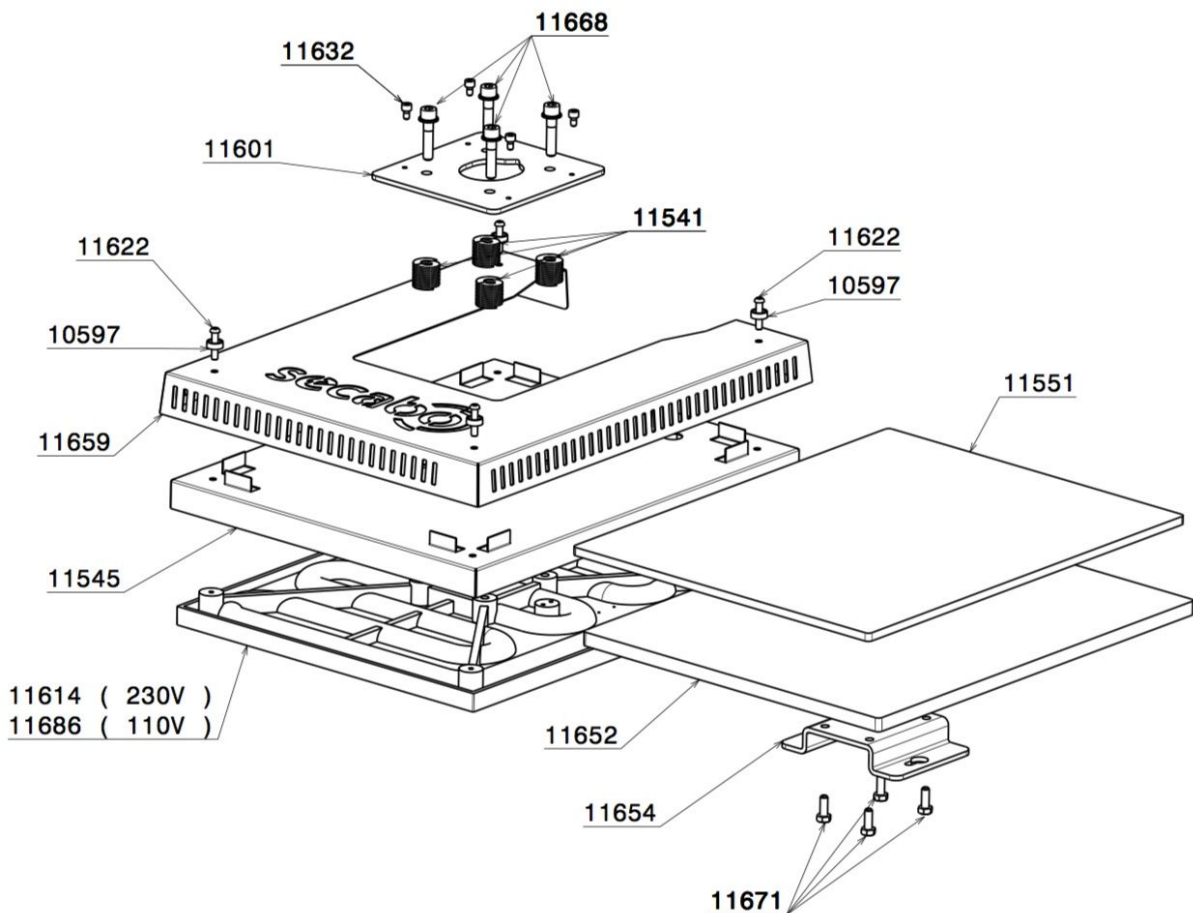
## Exploded drawing for HP5 heat plate built in TC5 SMART



Part Number	Description
11668	ISO 4762 Screw M10x45 Hexagon Socket
11632	ISO 4762 Screw M6x10 Steel Hexagon Socket Head Cap
11601	Adapter Plate - HP5, HP7
11541	Compression Spring - HP5, HP7
11622	ISO-7380-M6-30
11660	Protective Plate - HP5
10597	Cuvette - HP5, HP7

11605	Rubber Matt - HP5,
11598	Cover Heatplate - HP5
11596	Heatplate - HP5 (230V)
11685	Heatplate - HP5 (110V)
11655	Tabletop - HP5
11654	Adapter Plate Table Top - HP5, HP7
11671	ISO 4017 Screw M8x16 Hexagon Head

## Exploded drawing for HP7 heat plate built in TC7 SMART



Part Number	Description
11668	ISO 4762 Screw M10x45 Hexagon Socket
11632	ISO 4762 Screw M6x10 Steel Hexagon

	Socket Head Cap
11601	Adapter Plate - HP5, HP7
11541	Compression Spring - HP5, HP7
11622	ISO-7380-M6-30
10597	Cuvette - HP5, HP7
11659	Protective Plate - HP7
11545	Cover Heatplate - HP7
11551	Rubber Matt - HP7
11614	Heatplate - HP7 (230V)
11686	Heatplate - HP7 (110V)
11652	Tabletop - HP7
11654	Adapter Plate Table Top - HP5, HP7
11671	ISO 4017 Screw M8x16 Hexagon Head

## Circuit layout TC5 SMART and TC7 SMART

