



## **OPERATING MANUAL**

### **for the Secabo SH7 Softheat 35cm x 45cm**

Congratulations on the purchase of your Secabo product!

Please read this operating manual carefully to ensure a smooth production launch with your new device.

Any type of reproduction of this operating manual requires the written permission of Secabo GmbH. Modifications to and errors in the technical data and/or product characteristics are reserved.

Secabo GmbH accepts no liability for any direct or indirect damages resulting from the use of this product.

*Version 1.0 (31.08.2020)*

## Brief overview

- It can compensate for large differences in height and uneven surfaces
- Button strips, seams and zippers can easily be pressed over.
- Pressure and temperature peaks at problematic areas such as buttons, hem and seam are nearly eliminated
- The current contact pressure can always be read
- The contact pressure is set using the pressure regulator on the SH7
- The same operating pressure is reproducible at any time
- The power consumption of the SH7 is significantly lower than is the case with conventional heating technologies

## Safety Precautions

Please read the information and safety precautions carefully prior to first commissioning of the device!

- Never reach inside the heat press with your hands when it is connected to the power supply, especially if it is switched on and heated up – danger of burns!
- Only use the Secabo SH7 Softheat 35cm x 45cm with the standard 40cm x 50cm base plate or with the TB7. Usage with Secabo exchangeable base plates of other size, especially smaller sizes, is not possible.
- Only close the heat press when the Secabo SH7 Softheat is located above the base plate. Closing the press without counter-pressure will cause the Secabo SH7 Softheat to inflate continuously, until it destroys itself.
- Do not place any pointy objects under the Secabo SH7 Softheat, as they can damage the silicone mat. In addition, this can lead to an electrical hazard from current flow.
- Never open the casing and do not make any modifications to the unit yourself.
- Ensure that neither liquids nor metal objects reach the inside of the heat press.
- Make sure you use a grounded wall socket. Keep in mind that a heat press may only be operated using a wall socket equipped with a ground fault circuit interrupter.
- Disconnect the heat press from the power supply when it's not in use.
- Always ensure that the heat press is out of reach of children during operation and never leave the device unsupervised when switched on.
- Make sure the unit is only used in dry rooms.

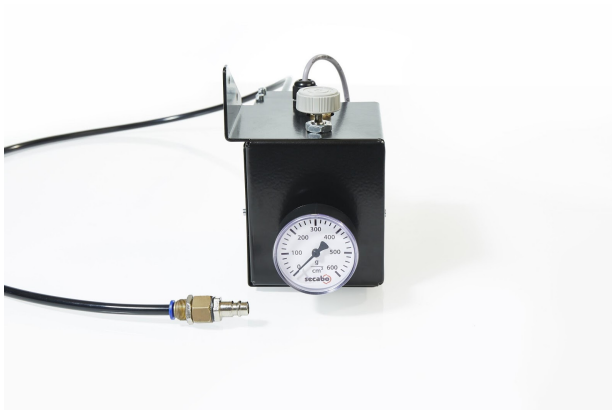
**If you cannot comply with one or more of the aforementioned safety rules, or if you are unsure as to whether you're in compliance with all of the points, please contact our technical support.**

## Items included

Secabo SH7 Softhead heating membrane

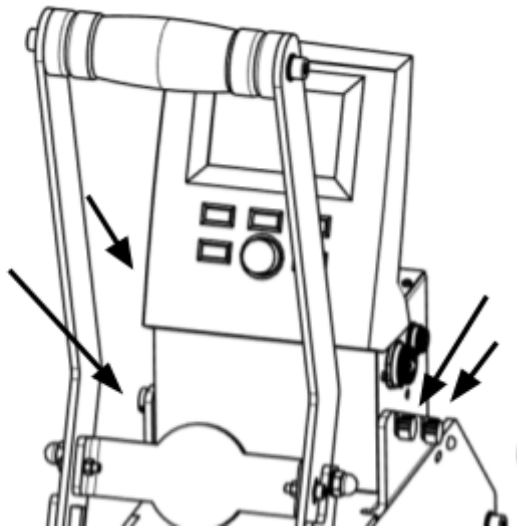


Pneumatic controller for Secabo SH7 Softhead  
with connector for external compressed air supply

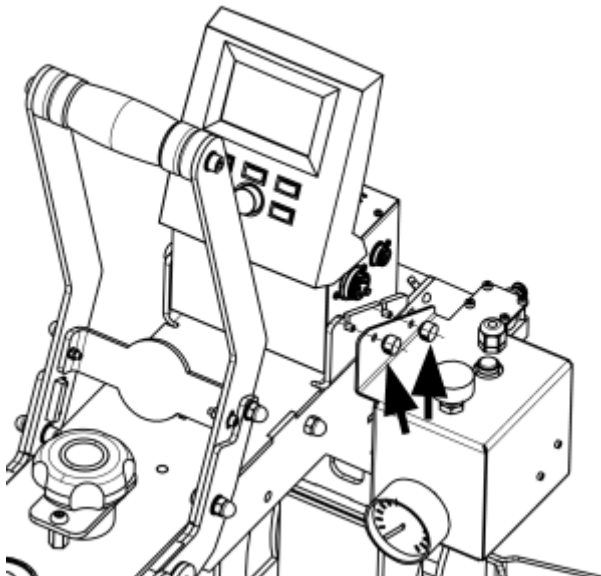


## Installation and commissioning

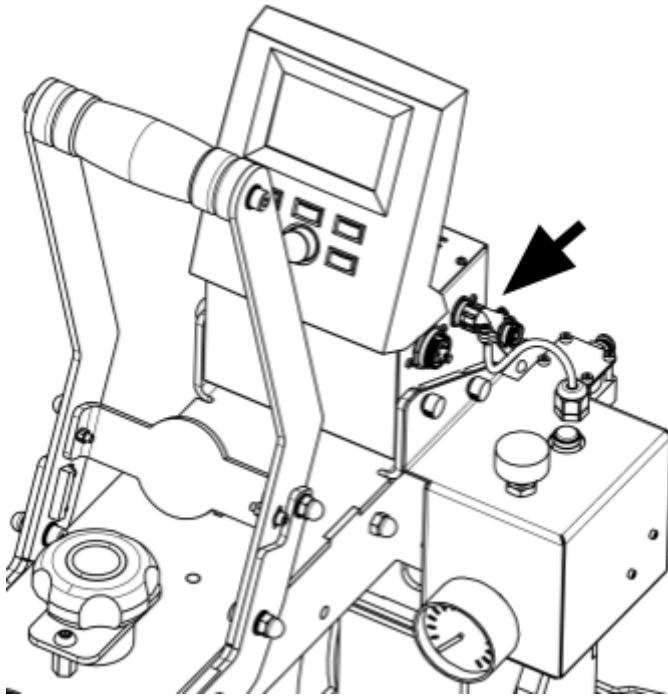
Loosen the four knurled nuts that connect the HC01 controller to the frame of your TS7 Smart. Do not unscrew the two knurled nuts that are on the left-hand side as viewed from the front, merely loosen them. The two knurled nuts on the right-hand side are to be completely unscrewed.



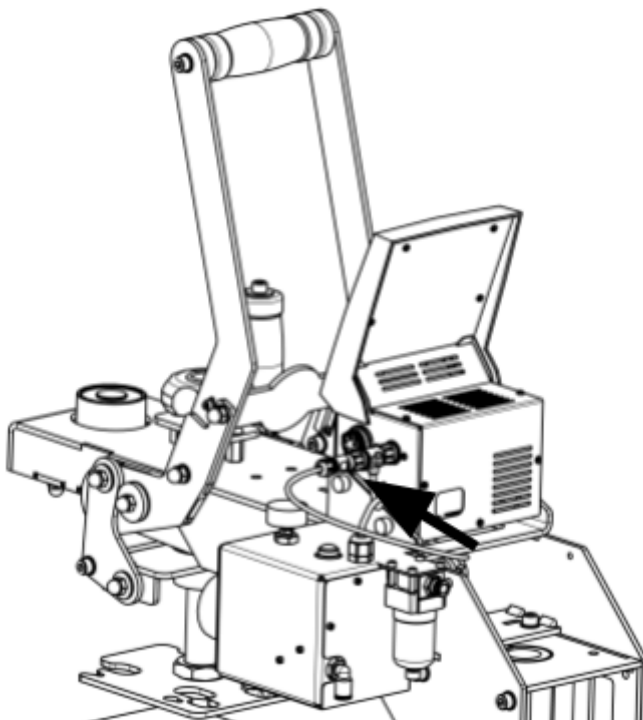
Next, attach the Secabo SH7 Softheat pneumatic control to the free-standing threaded pins, as viewed from the front right. Fix the pneumatic control to the threaded pins using the two previously removed knurled nuts. Also tighten the knurled nuts on the left side again.



Connect the cable harness of the Secabo SH7 Softheat pneumatic control to the small socket of the HPC01 controller.

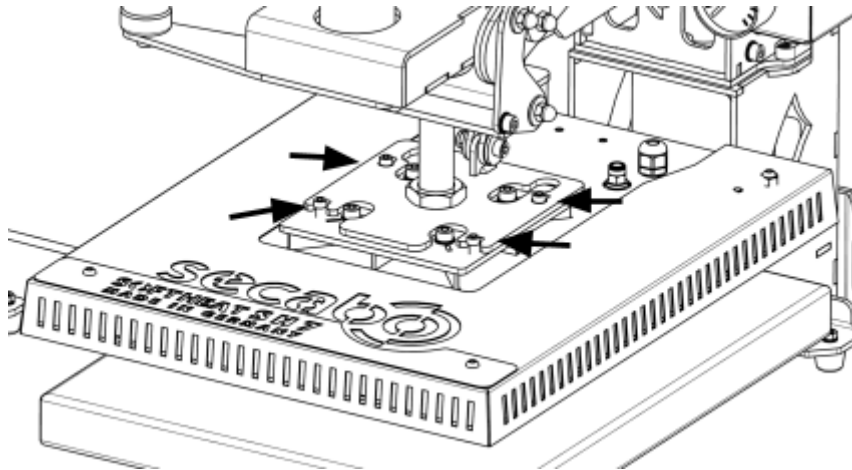


Now connect the cable harness of the Secabo TS7 Smart with the small 6-pin plug, which comes from the electromagnet, to the adapter of the Secabo SH7 Softheat pneumatic control.

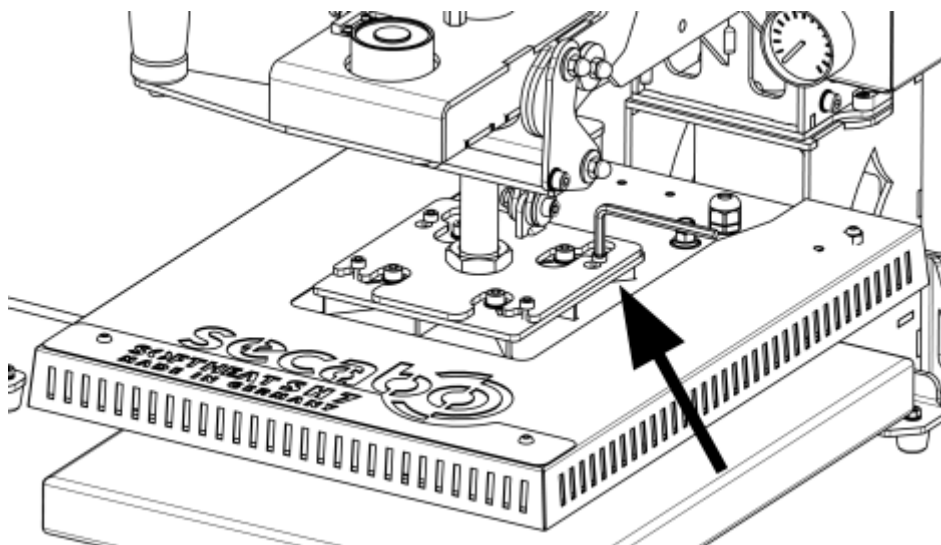


Position the Secabo SH7 Softheat heating membrane in front of the connection flange below the press lever on the Secabo TS7 Smart at an angle and thread the 4 external screw

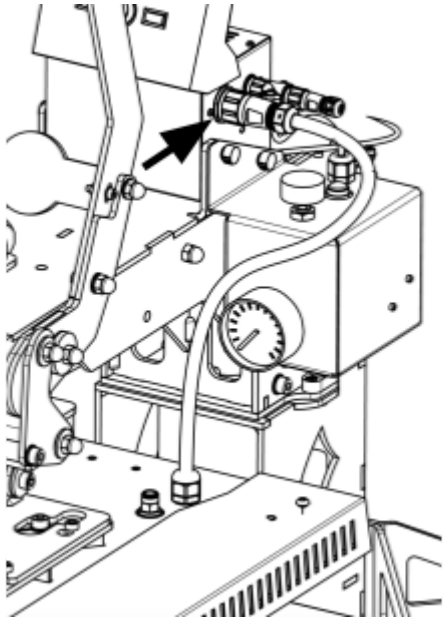
heads into the keyhole millings on the flange plate. The entire process is performed according to the same scheme as the installation of the standard HP7 heat plate.



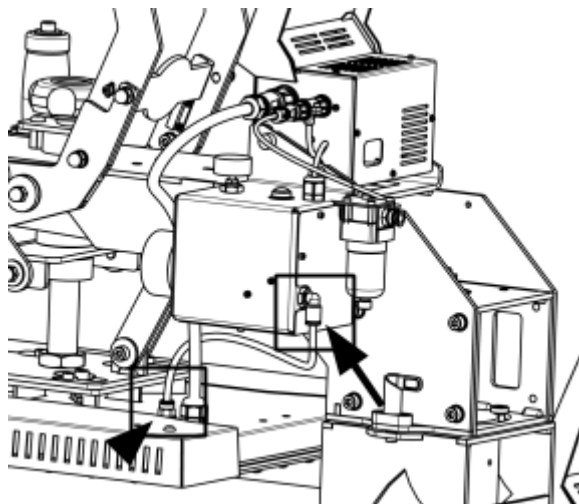
Carefully tighten the screws using the included Allen key (SW5). **Attention: As long as the screws are not properly tightened, the heat plate may fall down! Risk of injury!**



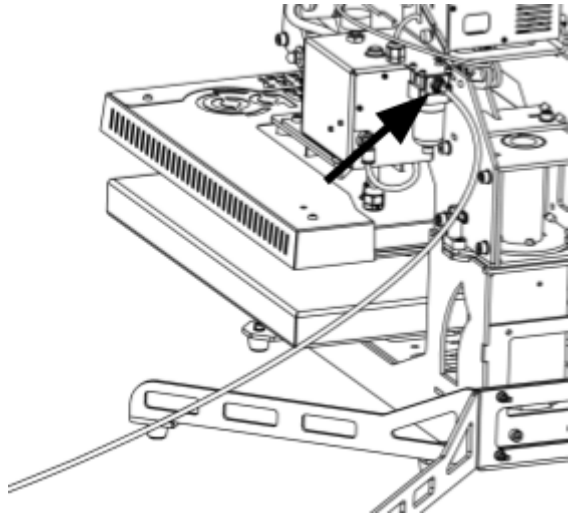
Plug the large 5-pin plug of the Secabo SH7 Softhead heating membrane into the matching socket on the outer right side of the **HPC01** Controller.



Next, connect the Secabo SH7 Softheat heating membrane to the Secabo SH7 Softheat pneumatic control using the compressed air hose (8 mm) included in the scope of delivery. To do this, you have to connect the compressed air hose to both the Secabo SH7 Softheat heating membrane and the Secabo SH7 Softheat pneumatic control using the provided pneufits.



Now attach the compressed air hose (6 mm) to the connection for the external compressed air supply. Do this by using the Pneufit on the pressure reducer. In the last step, connect the other end to your external compressed air supply, whereat the input pressure must not exceed **maximum 8 bar**. **Only use the supplied connection material** to prevent material damage to the machine.

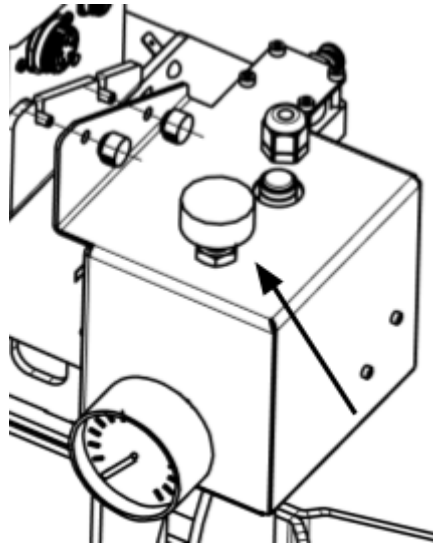


The Secabo SH7 Softhead is now ready for use. You can switch between SH7 and HP7 at any time, depending on what your respective application requires. Always ensure that the device is completely disconnected from the power source and has cooled down before switching.

## Operating the heat press with installed Secabo SH7 Softhead

- Turn on the heat press via the main switch.
- The press will now heat up to the set temperature. **Caution!!! the maximum temperature when using the Secabo SH7 Softhead must not exceed 190°C. A higher temperature possibly stored in the HPC01 controller can damage the Secabo SH7 Softhead.**
- Information on how to change the settings on the HPC01 controller can be found in your heat press' user manual.
- Set the desired contact pressure. You can regulate the contact pressure by setting the desired contact pressure on the adjusting wheel of the pneumatic control. Turning the knob clockwise increases the pressure, while turning it counterclockwise decreases it.





- Once the press has heated up and the pressure has been set, you can proceed with the first transfers.
- Make sure that the distance between the Secabo SH7 Softheat and the base plate mounted on the press is between 2 cm and 3 cm. Insufficient distance can cause mechanical damage inside the heating membrane. Excessive distance can result in a crack in the silicone mat of the heating membrane.
- Close the press lever. **Caution!!! The press lever may only be operated if the table plate of the press is below the Secabo SH7 Softheat, i.e. the press lever on the Secabo TS7 Smart may NOT be operated if the press is swiveled open. If the membrane does not hit the larger table plate, it will inflate to the point of defect. This also excludes the use of the Secabo SH7 Softheat with the smaller optional Secabo exchangeable base plates.**
- The timer starts counting as soon as the press is closed via the press lever. Furthermore, the membrane is inflated until it reaches the previously set contact pressure. If this is set too high for the system, the air is automatically released via the safety valve of the pneumatic control.
- 3 seconds before the set time elapses, a warning signal is sounded (if activated in the settings), then the press opens automatically.
- No settings can be changed during the press operation.
- With each completed press operation, the value indicated by the counter increases by 1, as soon as the specified time has fully elapsed.

#### **Notes on using the Secabo SH7 Softheat**

- A higher contact pressure settings typically causes the press to open more quickly and with a higher force. Keep your head and limbs away from the pressure lever and heat plate area to avoid injury.

- You should perform your own tests with the respective transfer materials and carrier media prior to each production. The manufacturer's specifications merely serve as indications. Wash resistance and behavior during transfers must be determined by means of individual tests. A guarantee cannot be derived from the information provided by the transfer material manufacturer. It is always the user's responsibility to determine and apply the correct settings for his specific conditions.
- The Secabo SH7 Softheat is not suitable for the sublimation transfer process; it is advisable to switch to the HP7 for sublimation.

## **Information on maintenance, cleaning and wear**

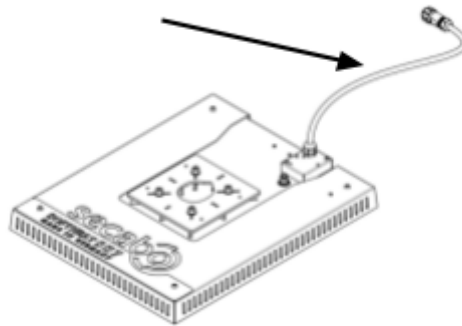
All maintenance work must be carried out with the press switched off and cooled off, no exceptions! First, remove the plug from the wall socket. Only perform maintenance work after consultation with our technical support team.

- The silicone mat of the Secabo SH7 Softheat should be cleaned regularly using a moist soft cloth and a mild household cleaner to remove adhesive residues, etc. Do not use scouring sponges, solvents or gasoline! Alternatively, it can also be cleaned with compressed air.
- Empty the water separator on the pressure reducer every day before starting work in order to prevent an increased proportion of water in the compressed air. Too much moisture in the compressed air could transmit electrical voltages.
- The silicone mat of the Secabo SH7 Softheat has a guaranteed service life of 25,000 cycles when used as intended. Should you need to replace it, please contact your sales representative or our technical support.

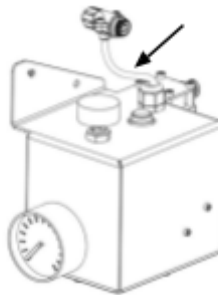
## List of safety-relevant components

In the event of a defect, all components / assemblies listed here shall only be replaced by trained specialists and with original components / assemblies provided by Secabo.

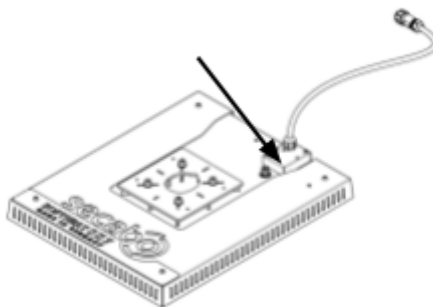
- Safety overpressure valve within the pneumatic control for Secabo SH7 Softheat.
- All provided electrical lines and pre-assembled wiring harnesses.
  - Wireharness SH7 12428



- Cable SH7 controller box 12454



- Fuse PCB 12475 Fuse Box ZB



- Silicone mat of the heating membrane with embedded wires.

## Technical data

<b>Secabo SH7 Softheat</b>	
<b>Type</b>	Membrane heat plate
<b>Working area size</b>	35cm x 45cm
<b>Max. temperature</b>	190°C
<b>Warm-up time</b>	2.5 min - 3 min
<b>Max. time preselection</b> (via HPC01, not included in delivery)	999s
<b>Max. operating pressure</b>	360 g/cm <sup>2</sup> (0.36 bar)
<b>Max. input pressure</b>	8 bar
<b>Pressure setting</b>	Adjusting wheel on the pneumatic unit
<b>Power supply</b>	AC voltage 230V / 50Hz - 60Hz, 1.3kW
<b>Environment</b>	+5°C - +35°C/ 30% - 70% relative humidity
<b>Weight</b>	15kg
<b>Weight with packaging</b>	24kg
<b>Dimensions</b>	44cm x 54cm x 8cm
<b>Dimensions with packaging</b>	77cm x 67cm x 20cm
<b>Items included</b>	Membrane heat plate, pneumatic control, connector for external compressed air supply
<b>Service life</b>	The membrane is a wearing part - if used correctly, a service life of 25,000 transfers can be expected. Careful handling increases the lifespan.

## Declaration of conformity - Statement of Conformity

We hereby declare under our sole responsibility that the product referred to in "technical data" complies with the provisions of the following directives and standards:



EC directives:

2014/35/EC Low Voltage Directive /

2014/35/EC Low Voltage Directive

98/37/EG Maschinenrichtlinie (2006/42/EG vom 12/29/2009) /

98/37/EC Directive on machinery (from 2009-12-29: 2006/42/EC)

Standard: EN 60204-1:2006

Technische Dokumente bei / Technical documents at:  
Secabo GmbH, Hochstatt 6-8, 85283 Wolnzach, Germany

A handwritten signature in black ink, appearing to read 'Fabian Franke'.

Dipl. Ing. Fabian Franke

A handwritten signature in black ink, appearing to read 'Bernhard Schmidt'.

Dipl. Ing.(FH) Bernhard Schmidt